

Poindus
COMPAL GROUP

VariPPC

VESA/Pole Compliant Mounting System

250/270 Series



Features



VESA/Pole Mountable Aesthetic Panel PC Meet Your Business Requirements

VariPPC 250/270 durability and flexibility meets demand with VESA Wall/ Pole mount options freeing space for hospitality & retail applications. Aesthetic appearance & slim panel can be configured as a Strategic Touch Point providing real time information to staff & customers.



Redefining Service

The PPC connects to the VariIO I/O Box by a single custom high speed USB Type C connector linking all devices simplifying cable management. The PPC can be removed leaving the VariIO I/O Box and peripherals in place by disconnecting a single cable providing quick service for maintenance significantly reducing engineer onsite visit time.

Ordering Information

VariPPC 250i/270i (Optional VariIO I/O Box-PE18)

PE17

- | | | |
|-----------------|--|---|
| ▪ i5-7300U | | Intel® Kaby Lake Core™ i5-7300U CPU up to 3.5 GHz |
| ▪ i3-6100U | | Intel® Sky Lake Core™ i3-6100U 2.3 GHz CPU |
| ▪ Celeron 3955U | | Intel® Sky Lake Celeron® 3955U 2.0 GHz CPU |

VariPPC 250A/270A (Optional VariIO I/O Box-PE19)

PE22

- | | | |
|------------------|--|--|
| ▪ i5-8365UE | | Intel® Whiskey Lake Core™ i5-8365UE up to 4.10 GHz CPU |
| ▪ i3-8145UE | | Intel® Whiskey Lake Core™ i3-8145UE 3.90 GHz CPU |
| ▪ Celeron 4305UE | | Intel® Whiskey Lake Celeron® 4305UE 2.00 GHz CPU |

PE24

- | | | |
|-----------------|--|---|
| ▪ Celeron J6412 | | Intel® Elkhart Lake Celeron®J6412 2.60GHz CPU |
|-----------------|--|---|



Multi-touch Screen



Waterproof - IP66 on Front Panel



Extendable VariIO I/O Box
Custom Type C connector

Detail Features

- Full range of CPUs from Celeron to Intel 6th/7th/8th generation Core i3/i5.
- True flat 15" 4:3 LCD, 400 nits / 17" 5:4 LCD, 400 nits (LED backlight) with IP66 protection.
- Standard VESA 75x75 Bracket, Wall/Pole-mount supported.
- Efficient onboard panel IO interface.
- Extendable IO capability to meet any project specification (Optional)
 - Rich VariIO I/O Box with customization options & independently mountable features
 - Compatible with simple I/O devices
 - Quick SWAP Design for easy maintenance.
- Peripheral compatibility across the whole VariPOS 2 Series: 2D Scanner, RFID, MSR, iButton & Fingerprint



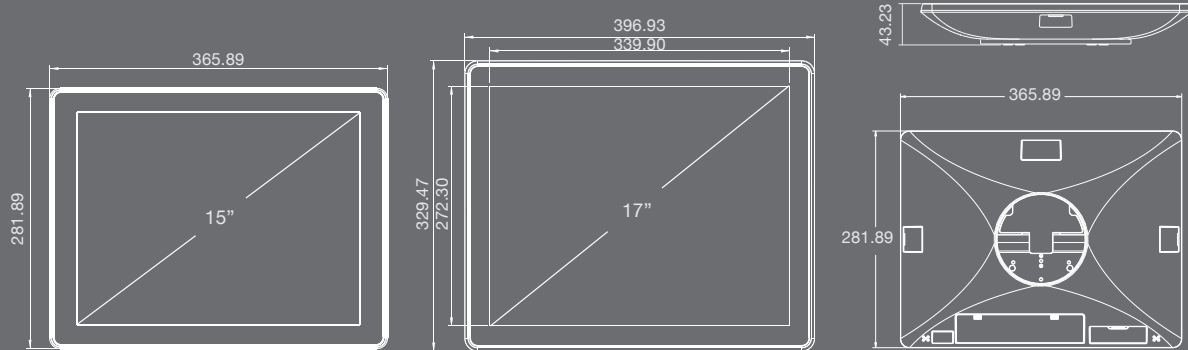
Specification

Model Name		• VariPPC 250i / 270i w/IO box (PE17)	• VariPPC 250A/270A (PE22)	• VariPPC 250A/270A (PE24)
Main Board	Processor	Intel® Core™ i5-7300U Intel® Core™ i3-6100U Intel® Celeron® 3955U	Intel® Core™ i5-8365UE Intel® Core™ i3-8145UE Intel® Celeron®4305UE	Intel® Celeron® J6412
	Chipset	CPU Integrated		
	System Memory	1 x SO-DIMM DDR4 slot, 4GB RAM as standard. Max. memory support up to 16 GB.		
	TPM	Intel F/W		
	Intel AMT	Only i5 CPU		N/A
Display & Touch	LCD Size	15" - 4:3 TFT LCD (LED backlight) 17" - 5:4 TFT LCD (LED backlight)		
	Brightness	400 nits		
	Resolution	15" - 1024 x 768 (4:3) 17" - 1280 x 1024 (5:4)		
	Touch	True Flat Projected Capacitive Technology		
Storage	HDD/SSD	1 x SATA III (2.5")	1 x SATA III (2.5") or M.2 Storage (Option)	
Panel I/O	LAN Port	1 x Gigabit Ethernet by RJ-45		
	USB Port	2 x USB 3.0	2 x USB 2.0, 4 x USB 3.1	3 x USB 2.0, 3 x USB 3.1
	Speaker	HD Audio, 2W Speaker x 2		
	Power Switch	1 x power on/off button		
VariIO I/O Box & Expansion (Optional)	Cash Drawer	1 x RJ-11 (Support DC +12V or +24V (default)) port supports 2 cash drawers		
	LAN Port	1 x Gigabit Ethernet by RJ-45		
	USB Port	2 x USB 3.0; 4 x USB 2.0		
	Powered USB Port (Project Based)	2 x DC+12v Powered USB 1 x DC+24v Powered USB		
	COM Port	4 x RS-232 (jumper setting, support DC+0/5/12v, default setting is 0v)		
	Type C	N/A	1 x Type C	
OS Support		Win 10 (64bit) / Win 7 (32bit/64bit)		Windows 10 (64bit)
Power Adapter (External adapter)		Voltage:+19VDC, Std. 90 watt *PUSB will use 180 watt adapter		Voltage:+19VDC, Std. 65 watt *PUSB will use 180 watt adapter
Compliance	Certifications	CE, FCC, LVD, RoHS		
	Protection	IP66 on front panel		
Material		Main Unit: Die-Cast Aluminum		
Color		Space Gray / Black (PPC)		
Dimension (W x H x D mm)		365.89 x 281.89 x 43.23 mm (15") 396.93 x 329.47 x 42.75 mm (17")		
Environmental Condition	Operating	0°C ~ 40°C, 10% ~ 90% RH, non-condensing		
	Storage	-20°C ~ 60°C, 10% ~ 90% RH, non-condensing		

Model Name		• VariPPC 250i / 270i w/ IO box(PE17)	• VariPPC 250A/270A (PE22)	• VariPPC 250A/270A (PE24)
Optional Accessories	MSR	ISO 3-Tracks Slim MSR USB Type		
	ibutton	Dallas USB Type		
	RFID	13.56Mhz USB Type		
	Fingerprint	DigitalPersona, USB Type		
	Scanner	2D scanner, USB Type		
Carton		L 460 x W 300 x H 510 mm (15" / L 495 x W 315 x H 550 mm (17")		

* The right has been reserved to change the specification without prior notice.

Dimensions



Panel PC IO Interface

VariPPC 250i/270i (Sky Lake/Kaby Lake-PE17)



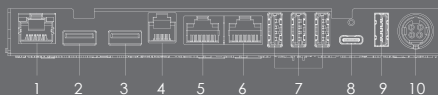
1. USB Type C
2. DC 19V
3. USB 3.0
4. USB 3.0
5. LAN
6. 2.5" HDD
7. POWER

VariPPC 250A/270A (Whiskey Lake-PE22)



1. 2.5" HDD
2. DC 19V
3. USB 3.0
4. Type C
5. USB 3.0
6. USB 2.0
7. COM1
8. COM2
9. Cash Drawer
10. USB3.0
11. LAN
12. POWER

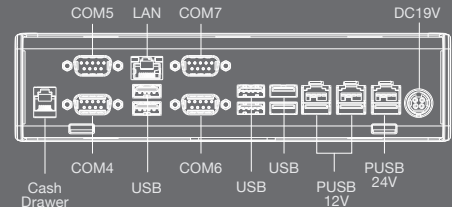
VariPPC 250A/270A (Elkhart Lake-PE24)



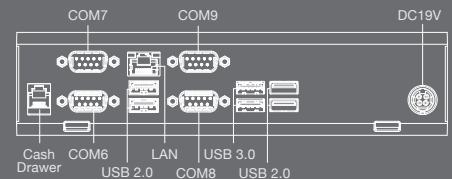
1. LAN
2. USB 3.0
3. USB 3.0
4. Cash Drawer
5. COM2
6. COM1
7. USB 2.0
8. USB Type C
9. USB 3.0
10. DC 19V

VariIO I/O Box

(PE18)



(PE19)





Poindus Systems Corp. Headquarters | www.poindus.com

5F, No.59, Ln. 77, Xing-Ai Rd., Neihu Dist., Taipei City 114, Taiwan. R.O.C

☎ + 886 27721 4688

📠 + 886 27721 2289

✉ sales@poindus.com

Germany

ADASYS GmbH Elektronische Komponenten
Max-Planck-Str. 10 70806 Kornwestheim

☎ + 49 7154 83000

📠 + 49 7154 8300 599

✉ info@adasys.de

UK

3 Devonshire Business Park, Basingstoke,
Hampshire, RG21 6XN, UK

☎ +44 (0)1256 331 336

✉ puk@poindus.com

Spain/Portugal

C/ Los Sueños 14, Polígono Industrial Santa Cruz
29004 Málaga-Spain

☎ +34 956 108 777

✉ info@poindus.es