

**Poindus**  
COMPAL GROUP

# VariPOS/PPC

The POS System of Forward Thinking





## Features

### Panel PC Available

Available counter POS, Pole or VESA Mount for multiple scenario Seamless Service with Modular Design

### Environmental Resistance & Durability

Shockproof, Waterproof, and dustproof on front panel (IP66), sustainable alcohol cleaning.

### Powered by Intel

Intel® J1900/J6412 Processor  
Intel® Celeron i3/i5 Processor



---

### Advanced Touch Technology

15" or 19" True Flat P-Cap  
LCD Touch Screen (LED backlight)

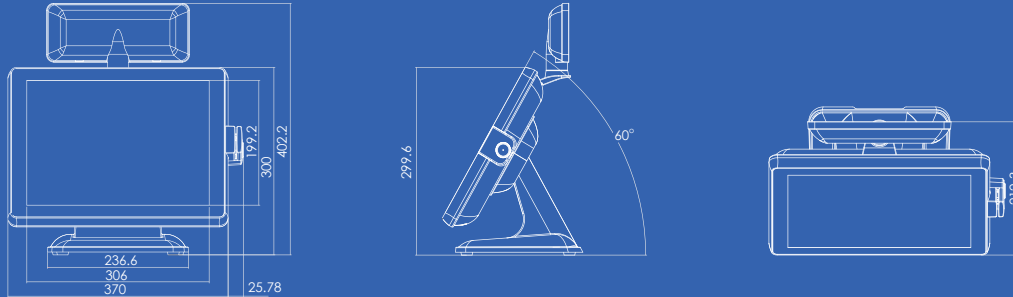
---

### Colorful IO Covers

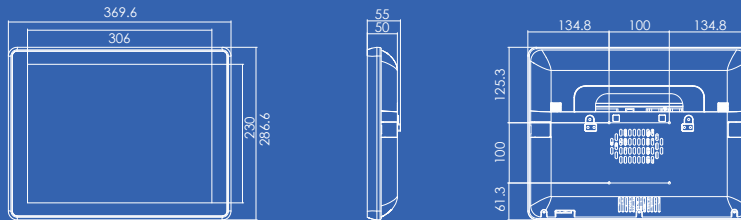
Colorful chassis suit any business  
environments (for 15" only)

# Dimensions

## VariPOS 750 / 850



## VariPPC 750 / 850



## VariPOS / PPC 750 Bay Trail (PE20, J1900)



- |                |           |                |
|----------------|-----------|----------------|
| 1 VGA          | 5 USB 2.0 | 9 USB 3.0      |
| 2 Power Switch | 6 COM3    | 10 Cash Drawer |
| 3 COM2         | 7 USB 3.0 | 11 DC 19V      |
| 4 COM1         | 8 LAN     |                |

## VariPOS / PPC 850 Whiskey Lake-U (PE22)



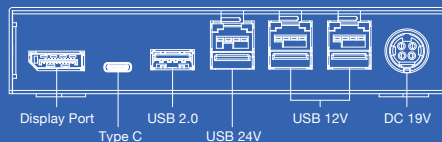
- |               |           |            |
|---------------|-----------|------------|
| 1 VGA         | 5 COM2    | 9 Type C   |
| 2 LAN         | 6 COM1    | 10 USB 3.0 |
| 3 USB 3.0     | 7 USB 2.0 | 11 DC19V   |
| 4 Cash Drawer | 8 USB 3.0 | 12 COM3    |

## VariPOS / PPC 750 Elkhart Lake (PE24, J6412)



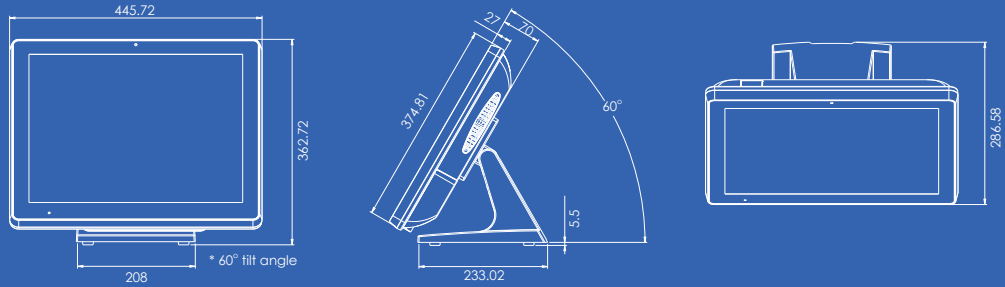
- |               |              |           |
|---------------|--------------|-----------|
| 1 COM3        | 5 COM2       | 9 USB 3.0 |
| 2 LAN         | 6 COM1       | 10 DC 19V |
| 3 USB 3.0     | 7 USB 2.0    | 11 VGA    |
| 4 Cash Drawer | 8 USB Type C |           |

## VariIO I/O Mini (PE23)

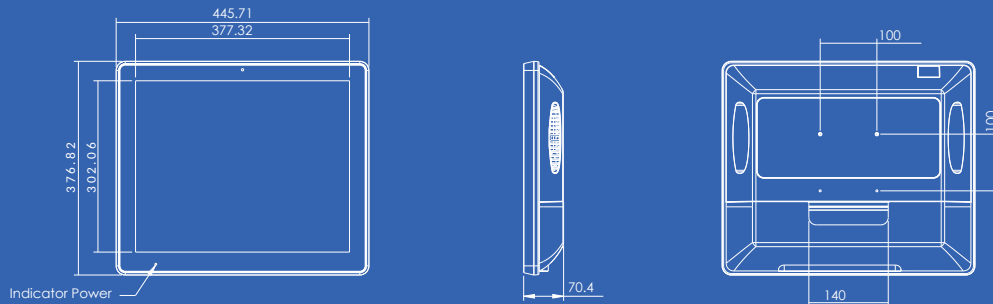


- |                |          |           |           |          |
|----------------|----------|-----------|-----------|----------|
| 1 Display Port | 2 Type C | 3 USB 2.0 | 4 USB 24V | 5 DC 19V |
|----------------|----------|-----------|-----------|----------|

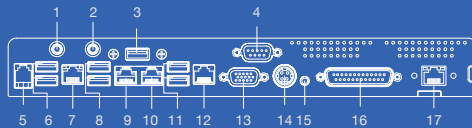
## VariPOS 890



## VariPPC 890



## VariPOS / PPC 890 Sky Lake Mobile (D86U)



1 Audio Out	7 LAN	13 VGA
2 Mic in	8 USB 3.0	14 DC 19V
3 USB 2.0	9 COM1	15 Power Switch
4 COM4	10 COM2	16 LPT
5 Cash Drawer	11 USB 3.0	17 2nd LAN ( optional )
6 USB 2.0	12 COM3	



## Detail features

- Full range of CPU from intel® Bay Trail J1900/Elkhart Lake J6412 to high end computing Celeron i3/ i5.
- 15" or 19" True Flat P-Cap Touch Screen.
- HDD or optional SSD storage.
- Extensive peripheral connectivity – MSR, iButton, SCR, Fingerprint, RFID, Scanner, 10.4" 2nd Display, VFD.
- Stylish & durable Aluminum chassis with fanless heat elimination.
- Modular design to satisfy multi-scenario requirements.
- 8 colorful IO covers to suit any business environments.

## Peripheral Products



**VariPOS 10.4" 2nd Display**

10.4" 2nd display up or down  
mounted available



**VariPOS VFD**

VFD up or down  
mounted available



**VariPOS Scanner**



**VariPOS MSR/ iButton/  
RFID/ Fingerprint/ SCR**

# Ordering Information

## VariPOS™ / PPC 750

### PE20

- VariPOS / PPC 750-J1900 | Intel® Celeron® J1900 2.42 GHz CPU

### PE24

- VariPOS / PPC 750-J6412 | Intel® Elkhart Lake Celeron® J6412 2.60 GHz CPU

---

## VariPOS™ / PPC 850

### PE22

- VariPOS / PPC 850-i5 | Intel® Core™ Whiskey Lake-U i5-8365UE 4.10 GHz CPU
- VariPOS / PPC 850-i3 | Intel® Core™ Whiskey Lake-U i3-8145UE 3.90 GHz CPU
- VariPOS / PPC 850-Celeron | Intel® Celeron® Processor 4305UE 2.00 GHz CPU



Multi-touch Screen



Waterproof - IP66 on front panel



Various Color



Panel PC (VESA) Mountable Available





## VariPOS™ / PPC 890

### D86U

- VariPOS / PPC 890-i5
- VariPOS / PPC 890-i3
- VariPOS / PPC 890-Celeron

Intel® Core™ Sky Lake i5-6300U 3.00 GHz CPU

Intel® Core™ Sky Lake i3-6100U 2.30 GHz CPU

Intel® Celeron® Processor 3955U 2.00 GHz CPU



Multi-touch Screen



Waterproof - IP66 on front panel



Various Color



Panel PC (VESA) Mountable Available



# Specification

Model Name		• VariPOS / PPC 750 (PE20)	• VariPOS / PPC 750 (PE24)
Main Board	Processor	Intel® Celeron® Processor J1900 (2M Cache, up to 2.42 GHz)	Intel® Celeron® J6412
	Chipset	CPU Integrated	
	System Memory	1 x DDR3L SO-DIMM up to 8GB	1 x SO-DIMM DDR4 slot, 4GB RAM as standard. Max. memory support up to 16GB
	TPM	N/A	Intel F/W
Display & Touch	LCD Size	15" TFT LCD (LED backlight)	
	Brightness	350nits	
	Resolution	1024 x 768	
	Touch	True Flat Projected Capacitive Technology	
Storage	HDD/SSD	1 x SATA (2.5") HDD or SSD	1 x SATA III (2.5") or M.2 Storage
I/O & Expansion	DC Input	1 x Mini Din 4P (DC 19V only)	
	Cash Drawer	1 x RJ-11 (Support DC +12V or +24V (default)) port supports 2 cash drawers	
	LAN port	1 x Gigabit Ethernet by RJ-45	
	USB port	2 x USB 2.0 4 x USB 3.0	3 x USB 2.0 3 x USB 3.1
	COM port	3 x RS-232 (COM1/2:DB-9, COM3:RJ-48) with DC 0V/5V/12V, selectable by BIOS. Default is DC 0V.	3x COM (COM1/2: RJ48 support DC+0/5/12v by BIOS setting, default setting is 0v. COM3: DB-9)
	VGA port	1 x DB-15 VGA port Power enable by BIOS setting (default disable)	
	Bus Expansion	1 x Mini-PCI-E Slot	1 x M.2
	Power Switch	1 x power on / off switch button	
	Speaker	HD Audio, 2W Speaker x 2	
	Type-C	N/A	1x Type C (PD+DP)
OS Support	Win10 IoT (64bit), Win7		Windows 10 (64bit) / Windows 11 (64bit)
Power Adapter	External adapter, DC Model : 65 Watts, Voltage:+19VDC 3.42 Amax		
Compliance	Certifications	CE, FCC, LVD, RoHS	
	Protection	IP66 on front panel	
VESA Mount	100mm x 100mm VESA		
Material	Main Unit: Die-Cast Aluminum ; I/O Cover: Plastic		
Color	Main Unit: Black / White		Main Unit: Black

\* The right has been reserved to change the specification without prior notice

<b>Model Name</b>	• VariPOS / PPC 850 (PE22)	
<b>Main Board</b>	Processor	Intel® Core™ i5-8365UE Intel® Core™ i3-8145UE Intel® Celeron®4305UE
	Chipset	CPU Integrated
	System Memory	1 x SO-DIMM DDR4 slot, 4GB RAM as standard. Max. memory support up to 16 GB.
	TPM	Intel F/W
<b>Display &amp; Touch</b>	LCD Size	15" TFT LCD (LED backlight)
	Brightness	350nits
	Resolution	1024 x 768
	Touch	True Flat Projected Capacitive Technology
<b>Storage</b>	HDD/SSD	1 x SATA III (2.5") or M.2 Storage
<b>I/O &amp; Expansion</b>	DC Input	1 x Mini Din 4P (DC 19V only)
	Cash Drawer	1 x RJ-11 (Support DC +12V or +24V (default)) port supports 2 cash drawers
	LAN port	1 x Gigabit Ethernet by RJ-45
	USB port	2 x USB 2.0 4 x USB 3.1
	COM port	3x COM (COM1/2: RJ48 support DC+0/5/12v by BIOS setting, default setting is 0v. COM3: DB-9)
	VGA port	1 x DB-15 VGA port Power enable by BIOS setting (default disable)
	Bus Expansion	1 x M.2
	Power Switch	1 x power on / off switch button
	Speaker	HD Audio, 2W Speaker x 2
Type-C	1 x Type C (PD + DP)	
<b>OS Support</b>	Windows 10 (64bit) / Windows 11 (64bit)	
<b>Power Adapter</b>	External adapter, DC Model: 90 Watts, Voltage:+19VDC 4.74 Amax	
<b>Compliance</b>	Certifications	CE, FCC, LVD, RoHS
	Protection	IP66 on front panel
<b>VESA Mount</b>	100mm x 100mm VESA	
<b>Material</b>	Main Unit: Die-Cast Aluminum ; I/O Cover: Plastic	
<b>Color</b>	Main Unit: Black	

\* The right has been reserved to change the specification without prior notice

<b>Model Name</b>		• VariPOS / PPC 750 (PE20)	• VariPOS / PPC 750 (PE24)
<b>Dimension (W x H x D)</b>		370 x 300 x 236 mm ( POS ) / 370 x 287 x 55 mm ( PPC )	
<b>Weight</b>		7 kg ( POS ) / 5.7 kg ( PPC)	
<b>Environmental</b>	Operating Condition	0°C ~ 40°C, 10% ~ 90% RH, non-condensing	
	Storage Condition	-20°C ~ 60°C, 10% ~ 90% RH, non-condensing	
<b>*Project Based - VariIO I/O Mini for VariPOS / PPC 750 (PE24)</b>	USB Port	N/A	1 x USB 2.0
	Powered USB Port (Optional)	N/A	2 x DC+12v Powered USB 1 x DC+24v Powered USB
	Display port	N/A	1 x Display port
	Type C	N/A	1 x Type C (PD + DP)
<b>Optional Accessories</b>	VFD	2 x 20 attached	
	MSR	USB Type	
	iButton	USB Type	
	SCR	USB Type	
	Finger Print	USB Type	
	RFID	USB Type, 13.56 MHZ	
	Scanner	2D Scanner, USB Type	
	2nd Display	10.4" Resolution 800 x 600	
<b>Carton</b>		L 404 x W 304 x H 505 mm ( POS ) / L 400 x W 170 x H 530 mm ( PPC )	

<b>Model Name</b>		• VariPOS / PPC 850 (PE22)	
<b>Dimension (W x H x D)</b>		370 x 300 x 236 mm ( POS ) / 370 x 287 x 55 mm ( PPC )	
<b>Weight</b>		7 kg ( POS ) / 5.7 kg ( PPC)	
<b>Environmental</b>	Operating Condition	0°C ~ 40°C, 10% ~ 90% RH, non-condensing	
	Storage Condition	-20°C ~ 60°C, 10% ~ 90% RH, non-condensing	
<b>*Project Based - VariIO I/O Mini for VariPOS / PPC 850 (PE22)</b>	USB Port	1 x USB 2.0	
	Powered USB Port (Optional)	2 x DC+12v Powered USB 1 x DC+24v Powered USB	
	Display port	1 x Display port	
	Type C	1 x Type C (PD + DP)	
<b>Optional Accessories</b>	VFD	2 x 20 attached	
	MSR	USB Type	
	iButton	USB Type	
	SCR	USB Type	
	Finger Print	USB Type	
	RFID	USB Type, 13.56 MHZ	
	Scanner	2D Scanner, USB Type	
2nd Display	10.4" Resolution 800 x 600		
<b>Carton</b>		L 404 x W 304 x H 505 mm ( POS ) / L 400 x W 170 x H 530 mm ( PPC )	

\* The right has been reserved to change the specification without prior notice

<b>Model Name</b>		• <b>VariPOS / PPC 890 (D86U)</b>
<b>Main Board</b>	Processor	Intel® Core™ i5-6300U Intel® Core™ i3-6100U Intel® Celeron® Processor 3955U
	Chipset	CPU Integrated
	System Memory	1 x SO-DIMM DDR3L 1600MHz, up to 8GB
	TPM	Intel F/W
<b>Display &amp; Touch</b>	LCD Size	19" TFT LCD (LED backlight)
	Brightness	350nits
	Resolution	1280 x 1024
	Touch	True Flat Projected Capacitive Technology
<b>Storage</b>	HDD/SSD	1 x SATA (2.5") HDD or SSD
<b>I/O &amp; Expansion</b>	DC Input	1 x Mini Din 4P (DC 19V only)
	Cash Drawer	1 x RJ-11 (Support DC +12V or +24V (default)) port supports 2 cash drawers
	LAN port	1 x Gigabit Ethernet by RJ-45, 2nd LAN optional
	USB port	3 x USB 2.0 4 x USB 3.0
	COM port	4 x RS-232, COM1/2/3(RJ48) Pin10 w/RI/5V/12V Selectable by BIOS (default is RI), COM4(DB9)
	Audio port	1 x Line-out ; 1 x Mic-In
	LPT port	1 x DB-25 Printer port
	VGA port	1 x DB-15 VGA port Power enable by BIOS setting (default disable)
	Bus Expansion	1 x Mini-PCI-E Slot
	Power Switch	1 x power on / off switch button
	Speaker	HD Audio, 2W Speaker x 2
<b>OS Support</b>		Windows 10 ( 64bit ) Windows 7 ( 32bit / 64bit )
<b>Power Adapter</b>		External adapter, DC Model: Voltage:+19VDC 4.74 Amax, 90 Watts ( Optional medical adapter )
<b>Compliance</b>	Certifications	CE, FCC, LVD, RoHS & Medical Certificates ( CE: EN60601-1-2, FCC: Part 18, LVD: EN60601-1 )
	Protection	IP66 on front panel
<b>VESA Mount</b>		100mm x 100mm VESA
<b>Material</b>		Main Unit: Die-Cast Aluminum ; I/O Cover: Plastic
<b>Color</b>		Main Unit: Black
<b>Dimension( Wx H x D )</b>		446 x 363 x 276 mm ( POS ) / 446 x 377 x 70.4 mm ( PPC )
<b>Weight</b>		9.3 kg ( POS ) / 7.3 kg ( PPC )
<b>Environmental</b>	Operating Condition	0°C ~ 40°C, 10% ~ 90% RH, non-condensing
	Storage Condition	-20°C ~ 60°C, 10% ~ 90% RH, non-condensing
<b>Carton</b>		L 526 x W 388 x H 600 mm ( POS ) / L 578 x W 188 x H 565 mm ( PPC )

\* The right has been reserved to change the specification without prior notice



**Poindus Systems Corp. Headquarters | [www.poindus.com](http://www.poindus.com)**

5F, No.59, Ln. 77, Xing-Ai Rd., Neihu Dist., Taipei City 114, Taiwan. R.O.C

☎ + 886 27721 4688

📠 + 886 27721 2289

✉ [sales@poindus.com](mailto:sales@poindus.com)

**Germany**

ADASYS GmbH Elektronische Komponenten  
Max-Planck-Str. 10 70806 Kornwestheim

☎ + 49 7154 83000

📠 + 49 7154 8300 599

✉ [info@adasys.de](mailto:info@adasys.de)

**UK**

3 Devonshire Business Park, Basingstoke,  
Hampshire, RG21 6XN, UK

☎ +44 (0)1256 331 336

✉ [puk@poindus.com](mailto:puk@poindus.com)

**Spain/Portugal**

C/ Los Sueños 14, Polígono Industrial Santa Cruz  
29004 Málaga-Spain

☎ +34 956 108 777

✉ [info@poindus.es](mailto:info@poindus.es)